



FLEXANTENNA – Flush Mounting Kit

SUPERIOR SCANNING

FLEXANTENNA offers best-in-class tag read performance across tag orientations. Focused linear antennas reduce cross reads and blind spots. Install individual units or combine multiple units as needed.

FLEXIBLE INSTALLATION

The FLEXANTENNA Flush Mount kit provides ability to mount portals where space is limited. Easily attached with drywall anchors or screws to walls or ceilings.

EASE OF DEPLOYMENT

With rising costs of shipping and labor, FLEXANTENNA is a clear winner with reduced costs to transport, deploy, and support.

The modular design reduces size and weight allowing for standard parcel shipments and single person installation.



Flush Mounting Kit Contents:



(8) 1 1/4" length 3/8"-16 hex screws



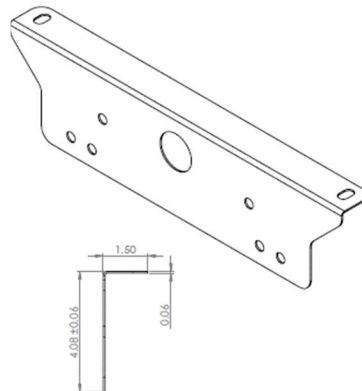
(16) 3/8" flat washers



(8) 3/8" locknuts



(2) FLEXANTENNA Flush Mounts



SPECIFICATIONS

Dimensions: 15.81" x 4.08" x 1.5"

Weight: 2 lbs

Material: Aluminum

Finishing: RAL 1023 Safety Yellow

FLEXANTENNA FLUSH MOUNT KIT FEATURES:

- Allows flush mounting to walls or ceilings
- Ideal for tight spaces
- Drywall anchor friendly
- Sturdy hardware for industrial applications

